

AMENDMENT UNDER 37 C.F.R. § 1.111  
U.S. Application No.: 10/826,269

Attorney Docket No.: 10/826,269

**AMENDMENTS TO THE DRAWINGS:**

Applicant is submitting herewith two replacement sheets for Figures 6 and 7.

Enclosed: 2 replacement sheets



# PRIOR ART

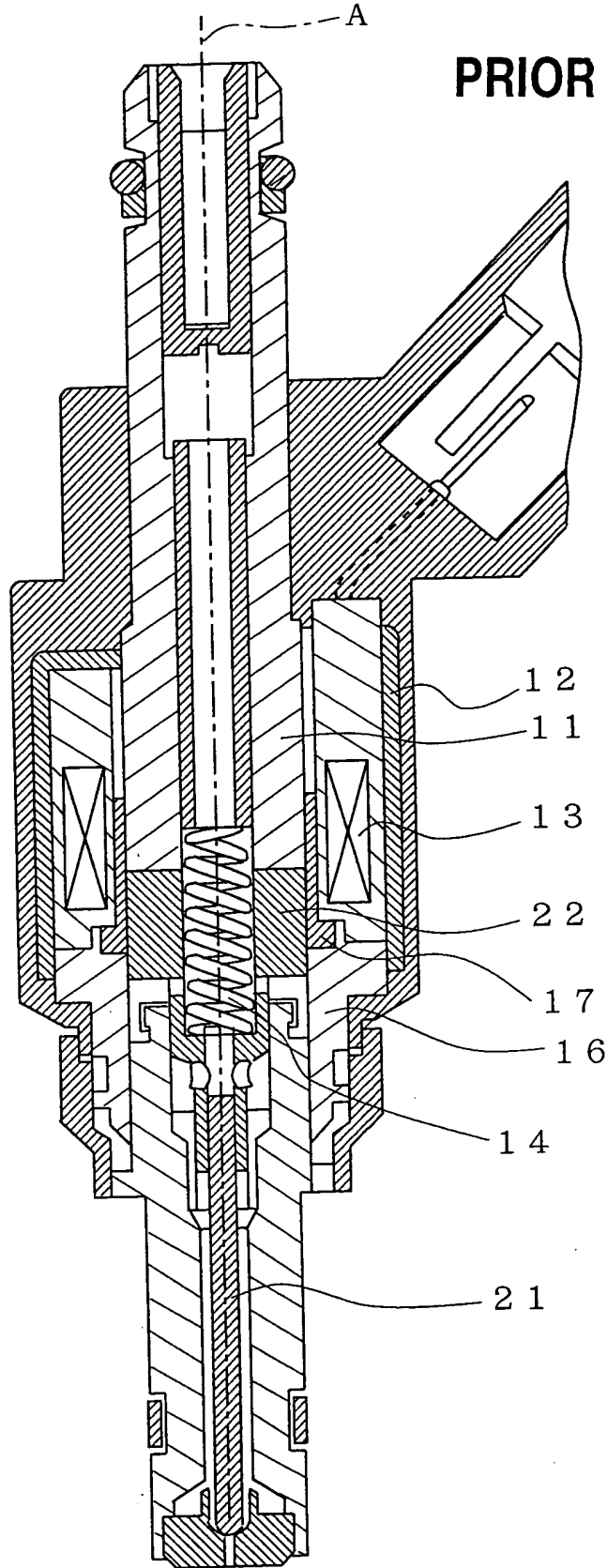


Fig. 6

**PRIOR ART**

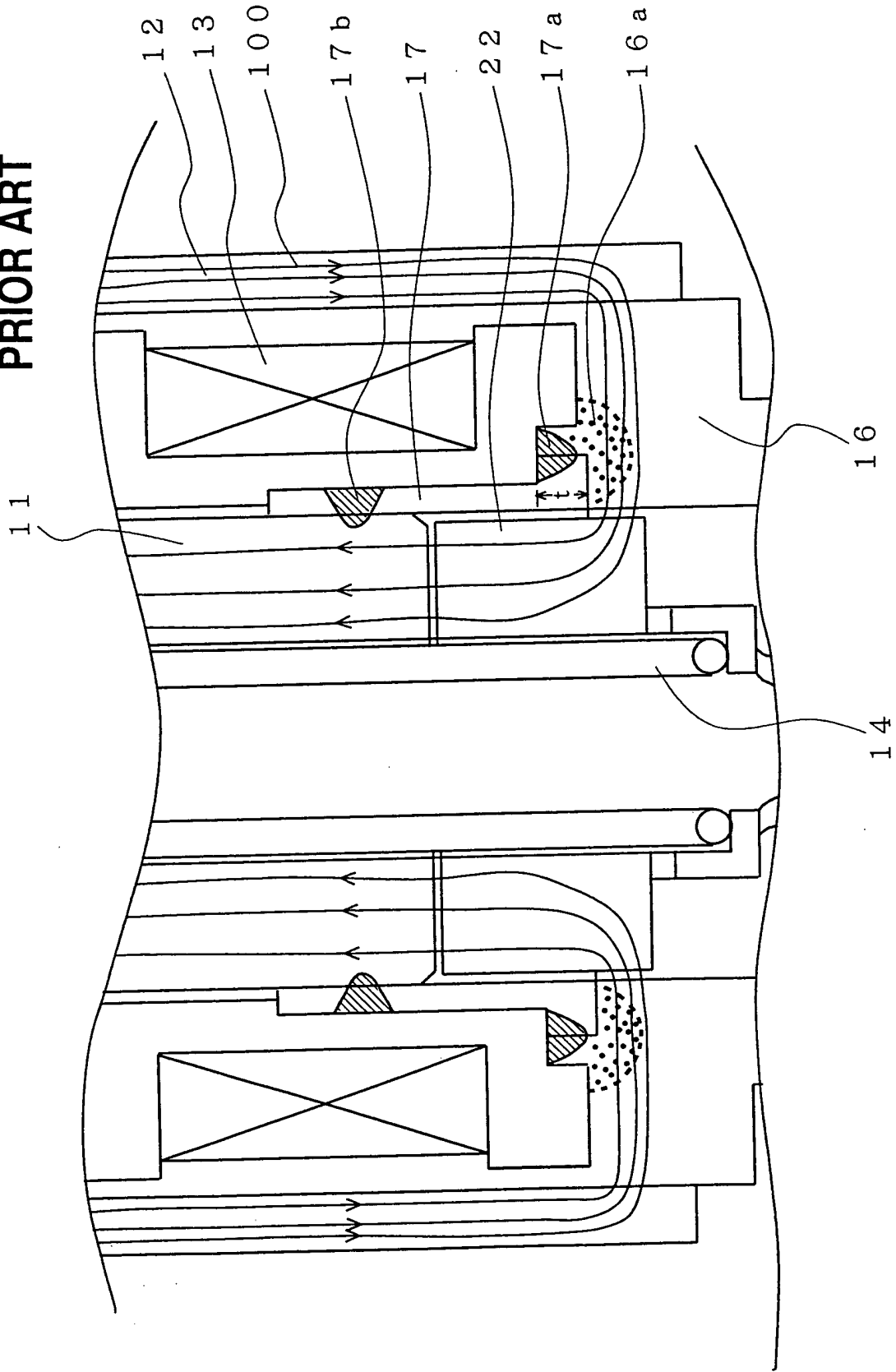


Fig. 7